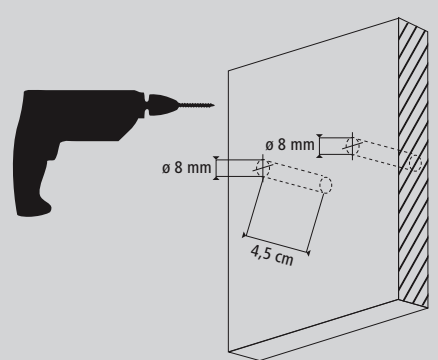
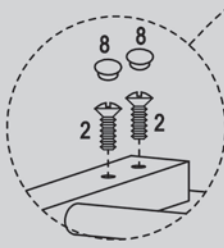
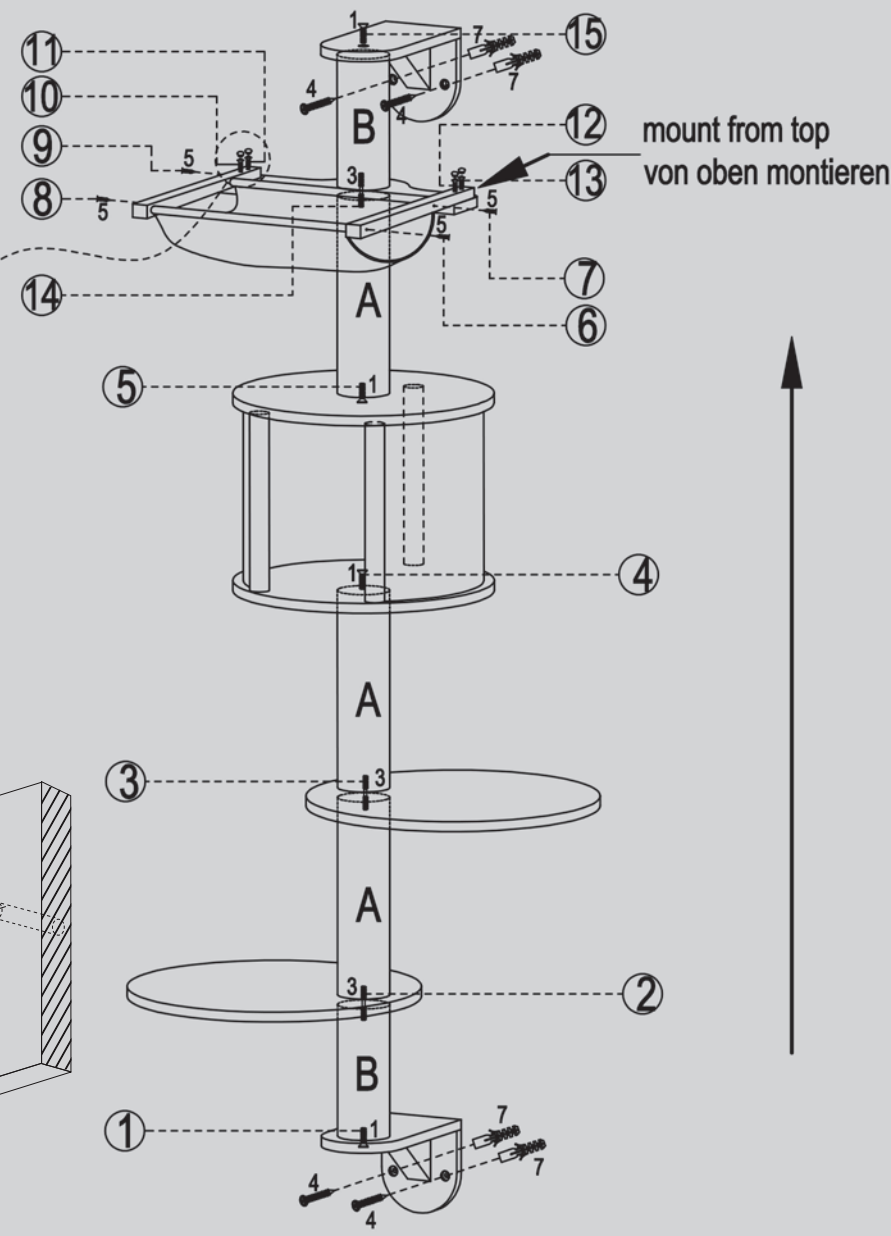




- |                 |                 |                 |                 |                 |     |      |      |                  |                  |
|-----------------|-----------------|-----------------|-----------------|-----------------|-----|------|------|------------------|------------------|
| 1               | 2               | 3               | 4               | 5               | 6   | 7    | 8    | A                | B                |
|                 |                 |                 |                 |                 |     |      |      |                  |                  |
| M8*35mm<br>4PCS | M5*25mm<br>4PCS | M8*80mm<br>3PCS | M5*58mm<br>4PCS | M3*25mm<br>4PCS | 1PC | 4PCS | 4PCS | D10*30cm<br>3PCS | D10*20cm<br>2PCS |



Bitte halten Sie die Reihenfolge der Arbeitsschritte 1,2,3,... von der Skizze ein.  
 Pls follow the sequence of the workflow 1,2,3,... as you can see on the draft.