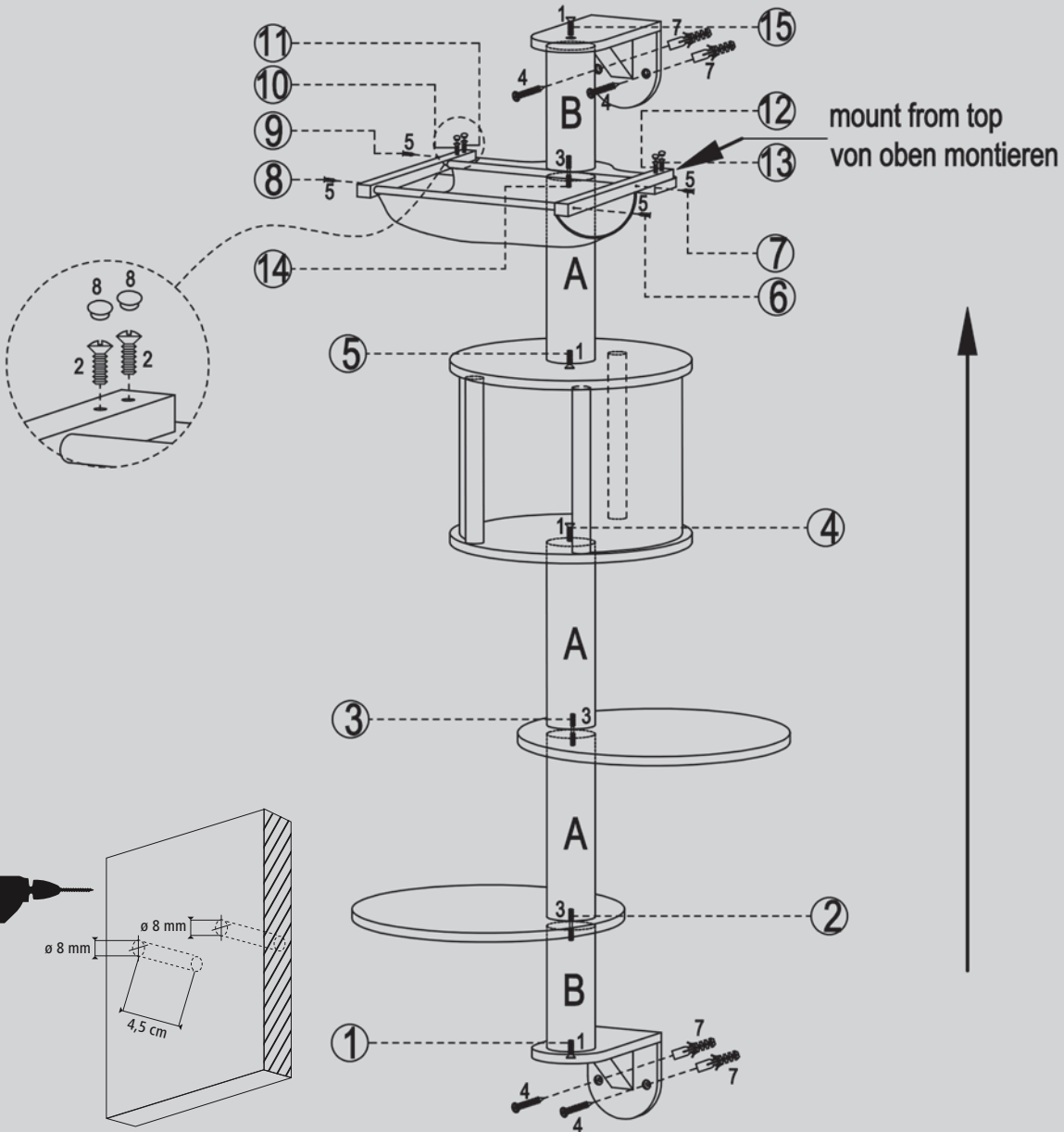




- | | | | | | | | | | |
|-----------------|-----------------|-----------------|-----------------|-----------------|-----|------|------|------------------|------------------|
| 1 | 2 | 3 | 4 | 5 | 6 | 7 | 8 | A | B |
| | | | | | | | | | |
| M8*35mm
4PCS | M5*25mm
4PCS | M8*80mm
3PCS | M5*58mm
4PCS | M3*25mm
4PCS | 1PC | 4PCS | 4PCS | D10*30cm
3PCS | D10*20cm
2PCS |



Bitte halten Sie die Reihenfolge der Arbeitsschritte 1,2,3,... von der Skizze ein.
 Pls follow the sequence of the workflow 1,2,3,... as you can see on the draft.